

TC9345MT7 TC9345MT12 Indoor Domed Housings

- For Fixed Camera Installations
- Bronze Cell-Cast Acrylic Dome
- 360° Adjustable Viewing Direction
- Tamper Resistant and Dustproof
- Concealed Camera Position
- Easy Installation



These attractive domed housings accommodate 1/2-inch and 1/3-inch solid-state cameras for surveillance in a variety of indoor CCTV applications. The TC9345MT7 has a 7-inch dome and the TC9345MT12 features a 12-inch dome.

Both models have tops formed from black ABS plastic. The capsules are bronze cell cast acrylic with opaque black nonwindow areas. The TC9345MT7 has a plastic inner liner with a cutout slot for viewing. The TC9345MT12 uses an opaque black nonwindow area to mask the camera from view.

These housings can be mounted in both sheet rock and standard drop ceilings. They come complete with mounting hardware and an adjustable camera mounting head for 360 degree adjustable viewing direction. These totally enclosed units are dustproof and tamper resistant.

SPECIFICATIONS

TC9345MT7

Construction: Top is formed from 0.187-inch black ABS plastic. The capsule is formed from 0.125-inch bronze cell cast acrylic with black plastic inner liner.

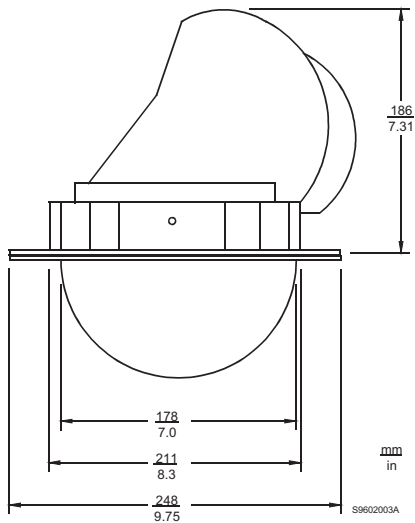
Dimensions: See **Dimensional Outline - TC9345MT7**.

Weight: 0.45 kg (1 lb).

Maximum Camera/Lens: 64 W x 64 H x 203 L mm (2.5 x 2.5 x 8.0 in).

Enclosure Mounting: 4 mounting holes are provided in flange of dome (including toggle bolts).

Camera Mounting: Camera support bracket adjustable forward and backward. Bracket is standard with each unit.



Dimensional Outline - TC9345MT7

TC9345MT12

Construction: Top is formed from 0.187-inch black ABS plastic. The capsule is formed from 0.125-inch bronze cell cast acrylic with nonwindow area opaque black.

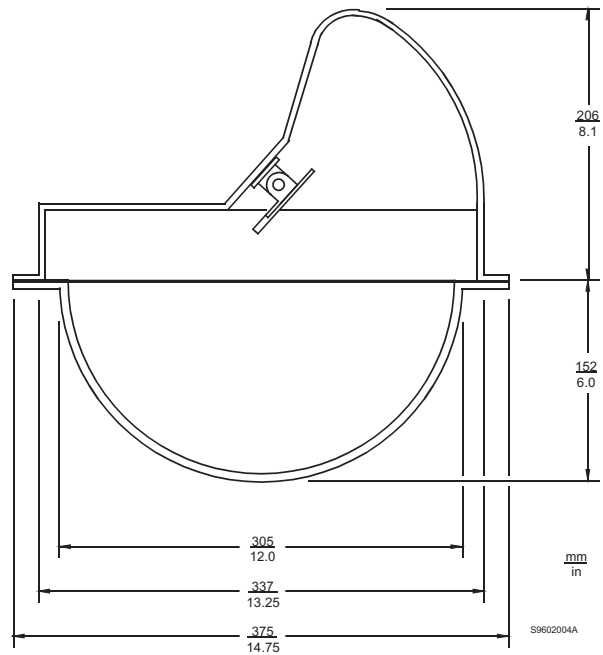
Dimensions: See **Dimensional Outline - TC9345MT12**.

Weight: 1.08 kg (2.4 lb).

Maximum Camera/Lens: 76 W x 76 H x 279 L mm (3.00 x 3.00 x 11.00 in).

Enclosure Mounting: 4 mounting holes are provided in flange of dome (including toggle bolts).

Camera Mounting: Camera support bracket adjustable forward and backward. Bracket is standard with each unit.



Dimensional Outline - TC9345MT12

