



ALTV2416CBX CCTV Camera & Accessory Power Supply

Overview:

ALTV2416CBX CCTV power supply is designed with Sixteen (16) individual PTC protected outputs for powering CCTV Cameras and other video accessories. It will provide 24VAC distributed via Sixteen (16) PTC outputs with a total of 8 amp continuous supply current.

Specifications:

Input:

- Input 115VAC 50/60 Hz, 2.8 amp.

Output:

- 24VAC outputs.
- Sixteen (16) PTC protected outputs.
- 8 amp (200VA) total supply current.
- Surge protection.

Output Ratings:

- PTC protected outputs are rated @ 2.5 amp (Fig. 1).

Visual Indicators:

- AC power LED indicator.

Additional Features:

- Power ON/OFF switch.
- Unit maintains camera synchronization.
- Ease of installation saves time and eliminates costly labor.

Enclosure Dimensions:

13"H x 13.5"W x 3.25"D

Optional available with 220VAC input order model # ALTV2416CBX/220.

Installation Instructions:

1. Mount ALTV2416CBX in desired location.
2. Slide switch SW1 (Fig. 1) to OFF position.
3. Connect the AC (115VAC 50/60 Hz) to the two black and white flying leads of the transformers (Fig 1).
4. Connect devices to output terminals using the following procedure (Fig. 1).

Circuit Board A - Camera 1 thru 8 output terminals marked [1P & 1N thru 8P & 8N].

Circuit Board B - Camera 9 thru 16 output terminals marked [1P & 1N thru 8P & 8N].

Note: It is important to measure output voltage before connecting devices. This helps avoid potential damage.

All terminals with common suffix P 1P, 2P..." are same polarity.

5. Slide switch SW1 (Fig. 1) to ON position.
6. Green LED will illuminate when AC power is present
7. Upon completion of wiring, secure enclosure door with screws (supplied).

WARNING: To reduce the risk of fire or electric shock, do not expose the unit to rain or moisture. This installation should be made by qualified service personnel and should conform to all local codes and in accordance with the National Electrical Codes.

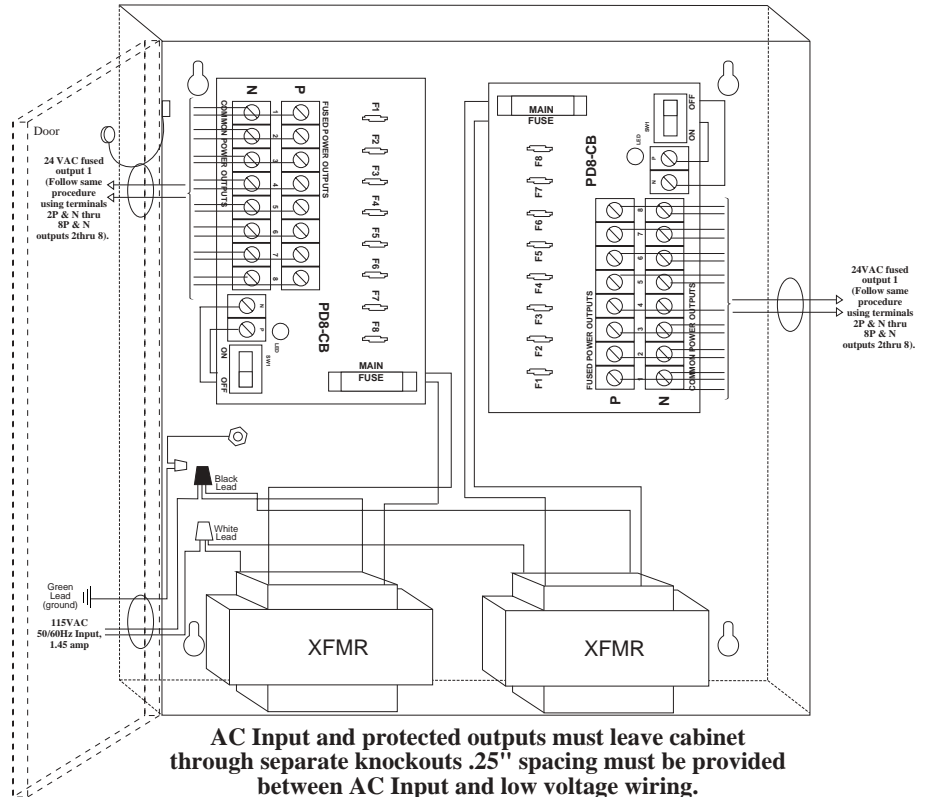
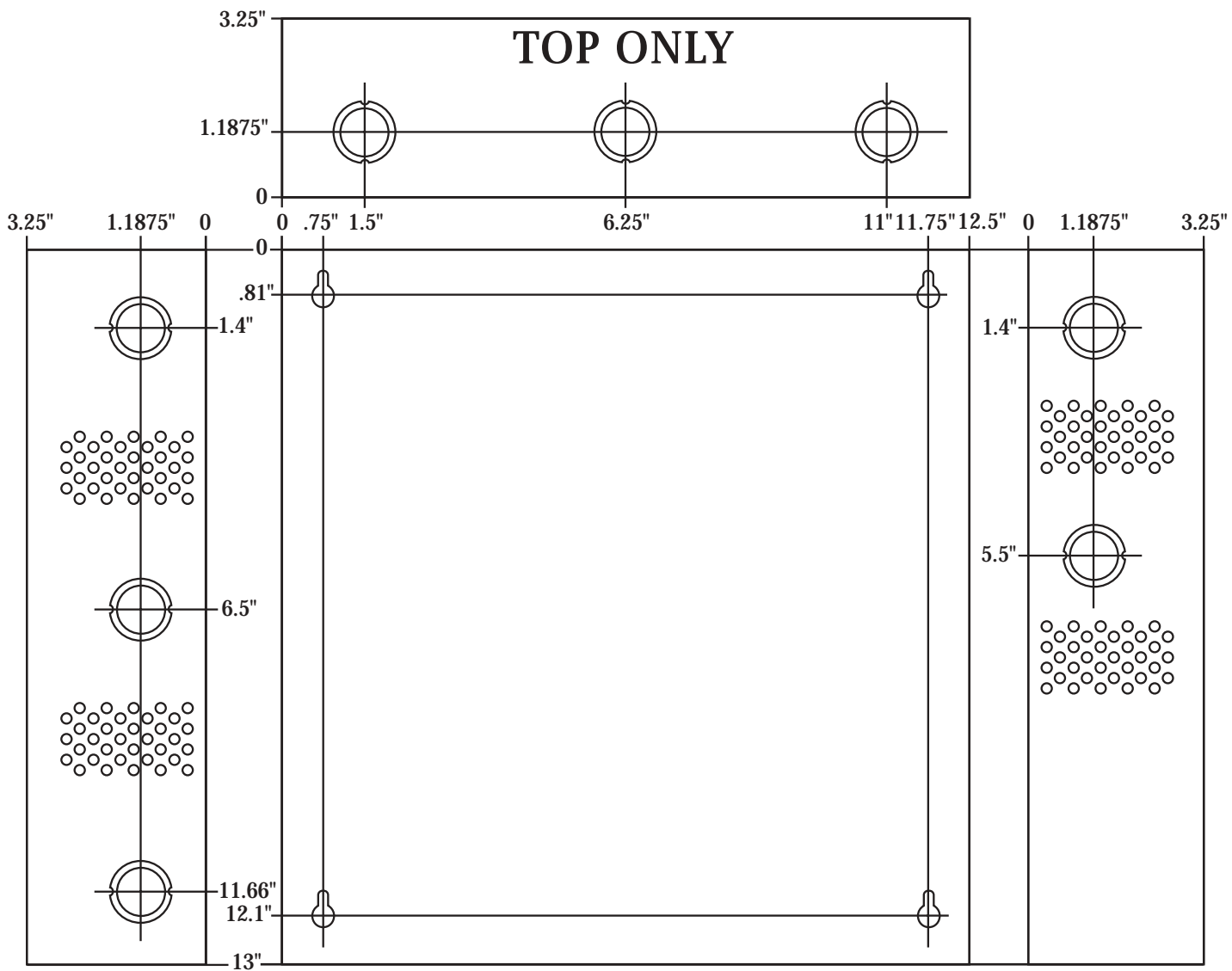


Fig. 1

Enclosure Dimensions:
 13"H x 13.5"W x 3.25"D



Altronix is not responsible for any typographical errors. Product specifications are subject to change without notice.

