



# ***ALTV248UL Series CCTV Power Supplies***

## ***Installation Guide***

### ***Models Include:***

- ***ALTV248UL***
  - ***24VAC @ 3.5 amp (100VA).***
  - ***Eight (8) Fuse Protected Outputs.***
- ***ALTV248175UL***
  - ***24VAC @ 7 amp (175VA)  
or 28VAC @ 6.25 amp (175VA).***
  - ***Eight (8) Fuse Protected Outputs.***
- ***ALTV248300UL***
  - ***24VAC @ 12.5 amp (300VA)  
or 28VAC @ 10 amp (280VA).***
  - ***Eight (8) Fuse Protected Outputs.***
- ***ALTV248300ULM***
  - ***24VAC @ 12.5 amp (300VA)  
or 28VAC @ 10 amp (280VA).***
  - ***Eight (8) Fuse Protected Outputs.***
- ***ALTV248600UL***
  - ***24VAC @ 25 amp (600VA)  
or 28VAC @ 20 amp (560VA).***
  - ***Eight (8) Fuse Protected Outputs.***
- ***ALTV248ULCB***
  - ***24VAC @ 3.5 amp (100VA).***
  - ***Eight (8) PTC Protected Outputs.***
- ***ALTV248175ULCB***
  - ***24VAC @ 7 amp (175VA)  
or 28VAC @ 6.25 amp (175VA).***
  - ***Eight (8) PTC Protected Outputs.***
- ***ALTV248300ULCB***
  - ***24VAC @ 12.5 amp (300VA)  
or 28VAC @ 10 amp (280VA).***
  - ***Eight (8) PTC Protected Outputs.***
- ***ALTV248300ULCBM***
  - ***24VAC @ 12.5 amp (300VA)  
or 28VAC @ 10 amp (280VA).***
  - ***Eight (8) PTC Protected Outputs.***
- ***ALTV248600ULCB***
  - ***24VAC @ 25 amp (600VA)  
or 28VAC @ 20 amp (560VA).***
  - ***Eight (8) PTC Protected Outputs.***



**Overview:**

These Altronix CCTV Power Supplies provide 24VAC or 28VAC (some models supply 24VAC only) distributed via eight (8) fuse or PTC protected outputs for powering CCTV Cameras, heaters and other video accessories.

**Eight (8) Output ALTV248UL Reference Chart:**

Altronix Model Number	Output Voltage	Total Output Current (Power)	Number of Outputs	PTC Protected Outputs (Class 2 power limited)	Fuse Protected Outputs	Output Current (max per output)	Main Fuse Ratings	115VAC 50/60Hz Input Current
ALTV248UL	24VAC	3.5 amp	8	-	x	3.5 amp	3.5 amp/250V	.9 amp
ALTV248ULCB	24VAC	3.5 amp	8	x	-	2.5 amp	3.5 amp/250V	.9 amp
ALTV248175UL	24VAC	7 amp	8	-	x	3.5 amp	-	1.73 amp
	28VAC	6.25 amp						
ALTV248175ULCB	24VAC	7 amp	8	x	-	3.5 amp	-	1.73 amp
	28VAC	6.25 amp						
ALTV248300UL	24VAC	12.5 amp	8	-	x	3.5 amp	-	2.7 amp
	28VAC	10 amp						
ALTV248300ULCB	24VAC	12.5 amp	8	x	-	2.5 amp	-	2.7 amp
	28VAC	10 amp						
ALTV248300ULM	24VAC	12.5 amp	8	-	x	3.5 amp	-	2.7 amp
	28VAC	10 amp						
ALTV248300ULCBM	28VAC	12.5 amp	8	x	-	2.5 amp	-	2.7 amp
	24VAC	10 amp						
ALTV248600UL	24VAC	25 amp	8	-	x	3.5 amp	-	5.4 amp
	28VAC	20 amp						
ALTV248600ULCB	24VAC	25 amp	8	x	-	2.5 amp	-	5.4 amp
	28VAC	20 amp						

**Specifications:**

- UL Listed - U. S. and Canada for CCTV Equipment (UL2044).
- Evaluated to C22.2 No. 1-98, Audio, Video, and Similar Equipment.
- Surge suppression.
- AC power LED indicator.
- Power ON/OFF switch / circuit-breaker.
- Unit maintains camera synchronization.
- Ease of installation saves time & eliminates costly labor.
- Spare fuses included (on fuse protected models).

**Enclosure Dimensions:**

ALTV248UL, ALTV248ULCB, ALTV248300ULM, and ALTV248300ULCBM:  
8.5"H x 7.5"W x 3.5"D  
ALTV248175UL and ALTV248175ULCB:  
12"H x 7.25"W x 4.5"D  
ALTV248300UL, ALTV248300ULCB, ALTV248600UL and ALTV248600ULCB:  
13"H x 13.5"W x 3.5"D

## Installation Instructions:

1. Mount unit in desired location.
2. Slide switch on PD board to OFF position for models ALTV248UL and ALTV248ULCB (Fig. 1, pg. 4).  
Turn OFF main switch on all other models, (Figs. 2-5, pgs. 4-6).
3. All units are factory set for 24VAC operation.  
For 28VAC operation (for models with 24VAC/28VAC option only), adjust unit prior to mounting and applying power as follows: Change the wire position so that the black wire [28V] is connected to the terminal marked [P] and the yellow wire [24V] is connected to the terminal marked [S].
4. Connect AC power to the black and white flying leads of the transformer(s) (Figs. 1-5, pgs. 4-6), secure green lead to earth ground. Use 18 AWG or larger for all power connections.  
**Keep power limited (PTC protected outputs only) wiring separate from non-power limited wiring. Minimum .25" spacing must be provided. Use separate knockouts.**
5. Measure output voltage before connecting devices. This helps avoid potential damage.  
Terminals marked [1P - 8P] are of the same polarity.  
**CAUTION: Determine the maximum operating voltage of the equipment being powered before adjusting the output voltage.**
6. Connect devices to terminals marked [1P - 1N through 4P - 4N] on PD4/PD4CB board (Fig. 5, pg. 6) or terminals marked [1P - 1N through 8P - 8N] on PD8/PD8CB board (Figs. 1-3, pg. 4-5), carefully observing polarity.
7. Slide switch on PD board to ON position for models ALTV248UL and ALTV248ULCB (Fig. 1, pg. 4).  
Turn main switch on all other models to the ON (RESET) position (Figs. 2-5, pgs. 4-6).
8. Green LED will illuminate when unit is powered.
9. Upon completion of wiring, secure enclosure door with screws (supplied).  
**Caution: Equipment to be installed / serviced by authorized / trained personnel only. Shut branch circuit power before installing / servicing equipment.**

**WARNING: To reduce the risk of fire or electric shock, do not expose the unit to rain or moisture. This installation should be made by qualified service personnel and should conform to all local codes and in accordance with the National Electrical Code. Use 75 C or higher rated UL insulated wiring for connecting the unit to the mains. Replace fuses with the same type and rating (3.5 amp/250V).**

## Terminal Identification:

### PD4 - Power Distribution Module

1P - 4P	AC output.
1N - 4N	AC output.

### PD8 - Power Distribution Module

1P - 8P	AC output.
1N - 8N	AC output.



The lightning flash with arrow head symbol within an equilateral triangle is intended to alert the user to the presence of an insulated "DANGEROUS VOLTAGE" within the products enclosure that may be of sufficient magnitude to constitute an electric shock.



The exclamation point within an equilateral triangle is intended to alert the user to the presence of important operating and maintenance (servicing) instructions in the literature accompanying the appliance.

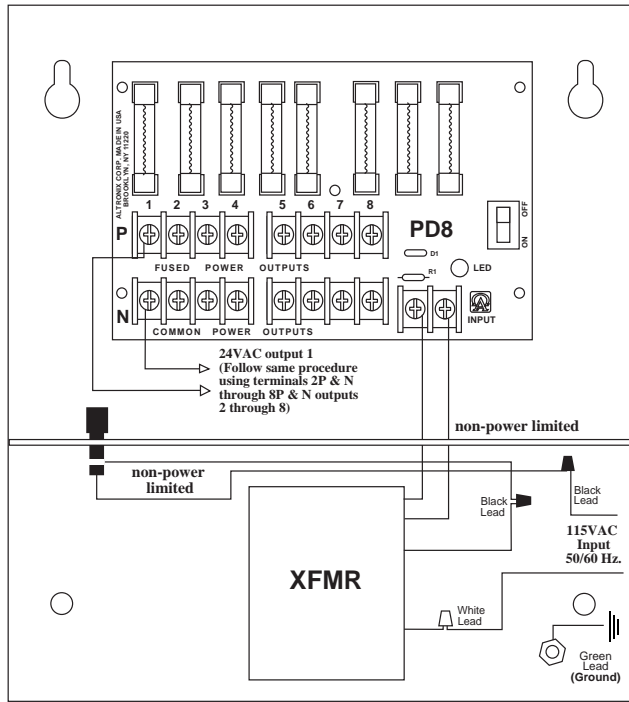


**CAUTION**  
RISK OF ELECTRIC SHOCK  
DO NOT OPEN



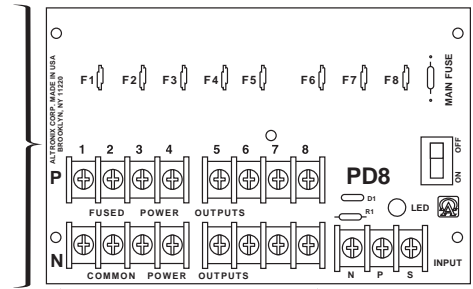
**CAUTION:** To reduce the risk of electric shock do not open enclosure. There are no user serviceable parts inside. Refer servicing to qualified service personnel.

**Fig. 1**  
**ALTV248UL • ALTV248ULCB**



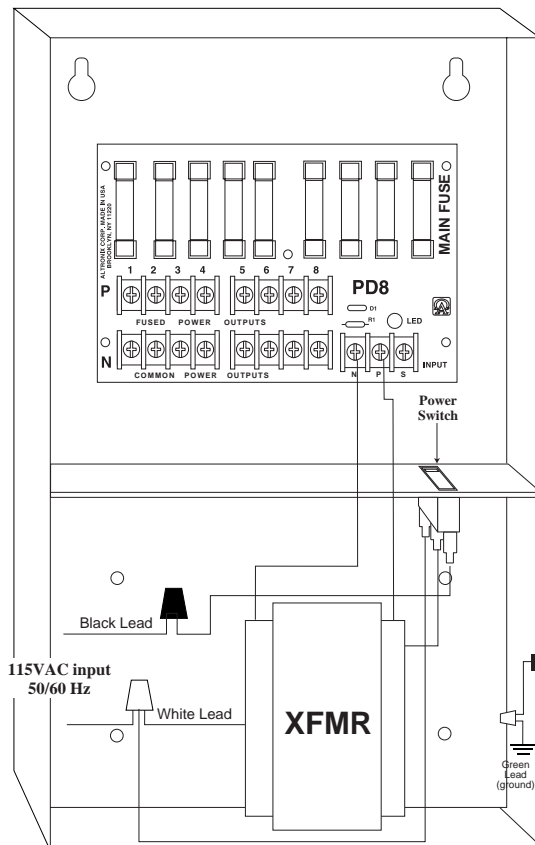
**Back Panel of Enclosure**

Used on PTC Models  
 (example: ALTV248ULCB)



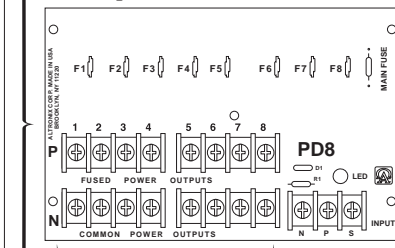
**Power Limited  
 Class 2**

**Fig. 2**  
**ALTV248175UL • ALTV248175ULCB**



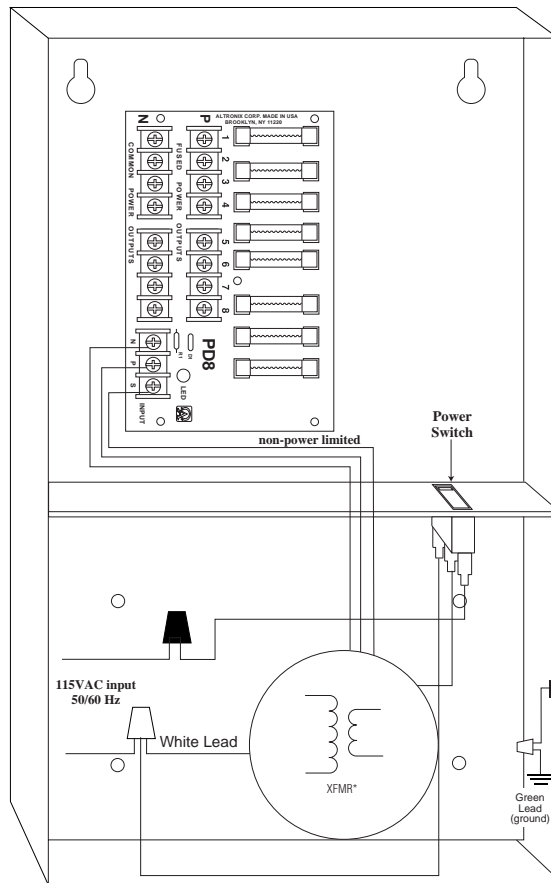
**Back Panel of Enclosure**

Used on PTC Models  
 (example: ALTV248175ULCB)

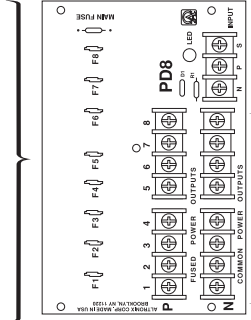


**Power Limited  
 Class 2**

**Fig. 3**  
**ALTV248300UL • ALTV248300ULCB**

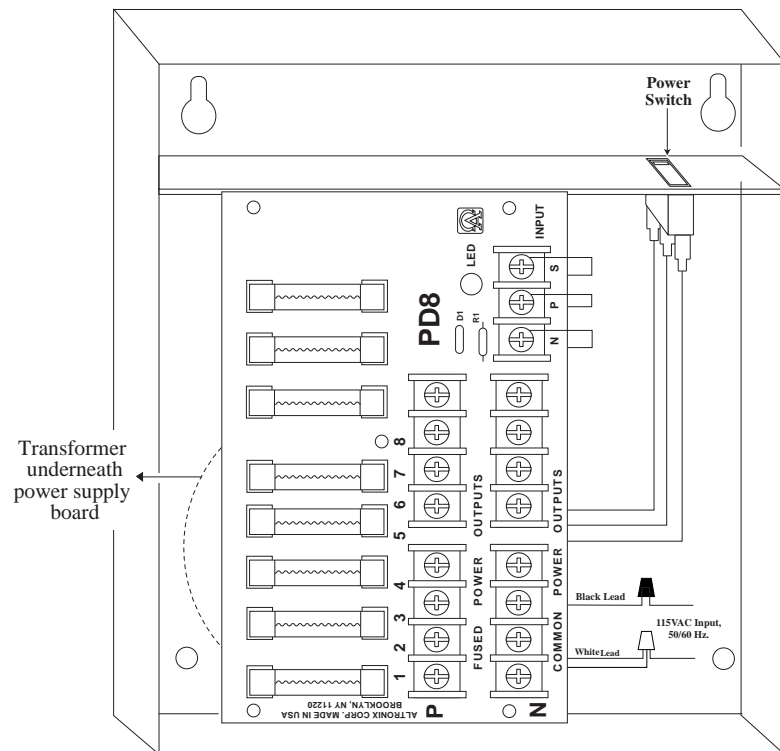


Used on PTC Models  
 (example: ALTV248300ULCB)

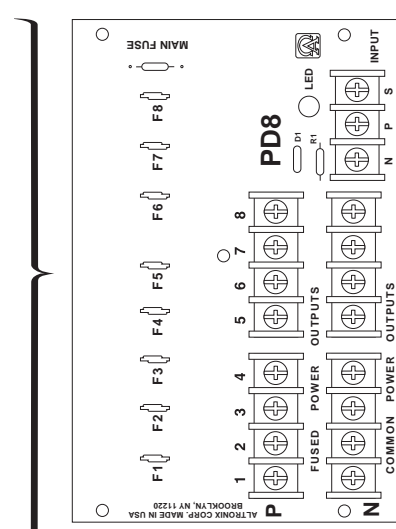


Power Limited  
 Class 2

**Fig. 4**  
**ALTV248300ULM • ALTV248300ULCBM**

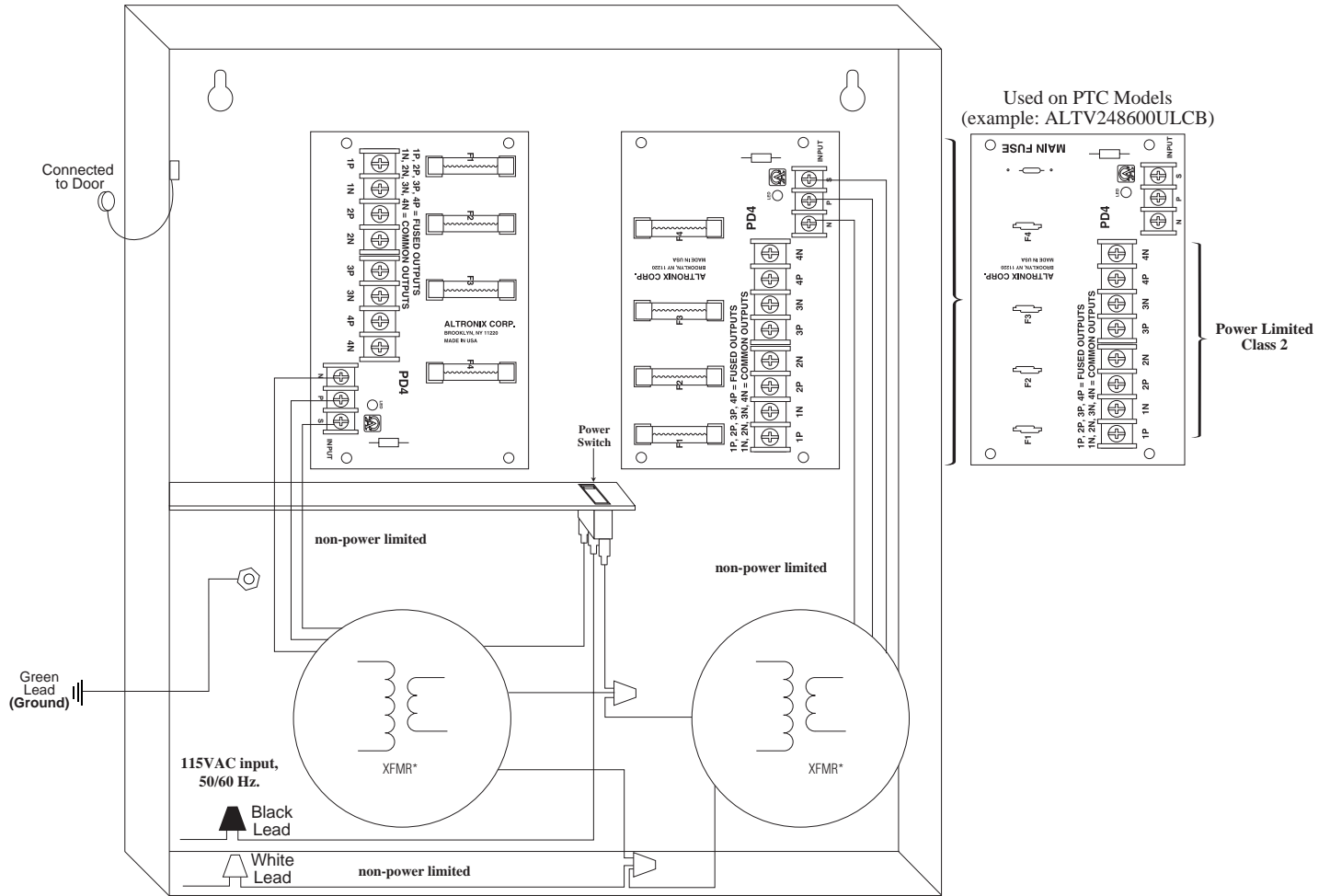


Used on PTC Models  
 (example: ALTV248300ULCBM)



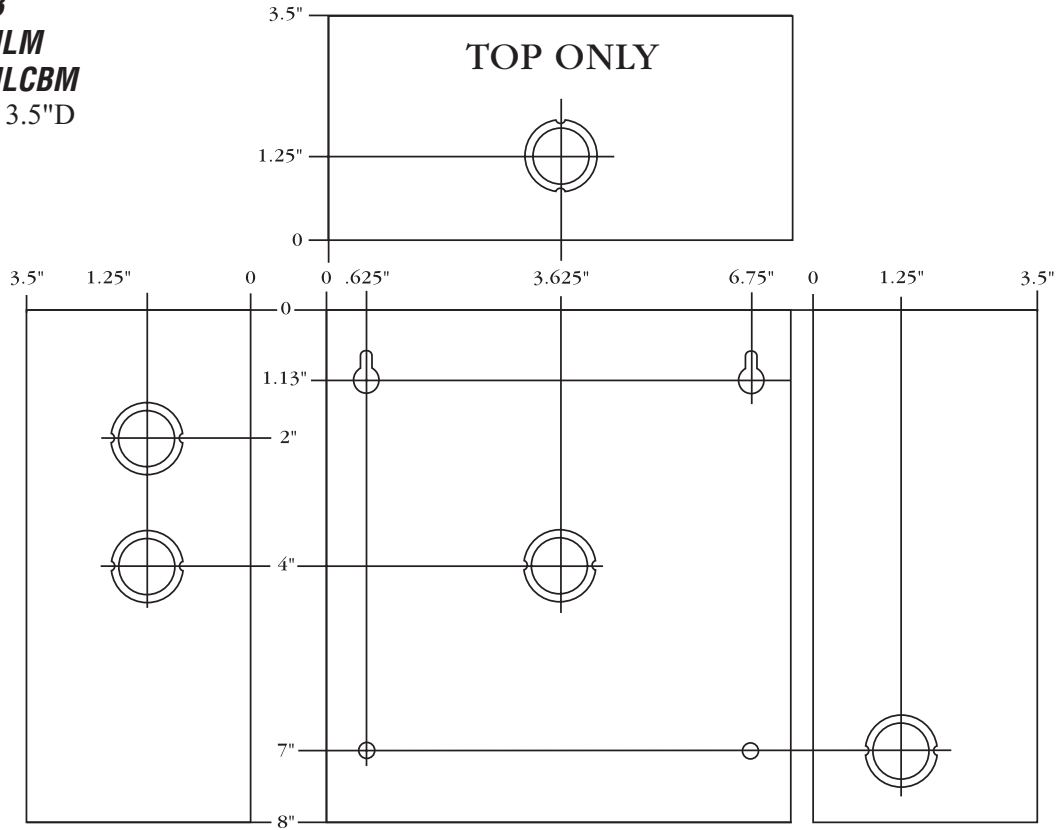
Power Limited  
 Class 2

**Fig. 5**  
**ALTV248600UL • ALTV248600ULCB**



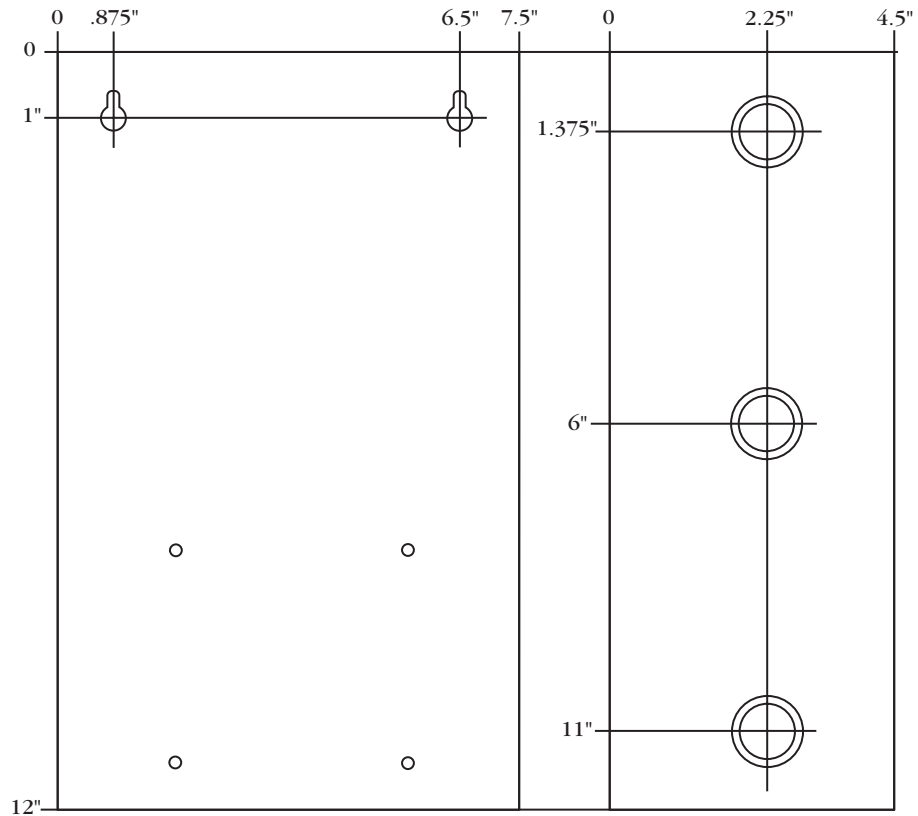
**Enclosure Dimensions for:**

- ALTV248UL
  - ALTV248ULCB
  - ALTV248300ULM
  - ALTV248300ULCBM
- 8.5"H x 7.5"W x 3.5"D



**Enclosure Dimensions for:**

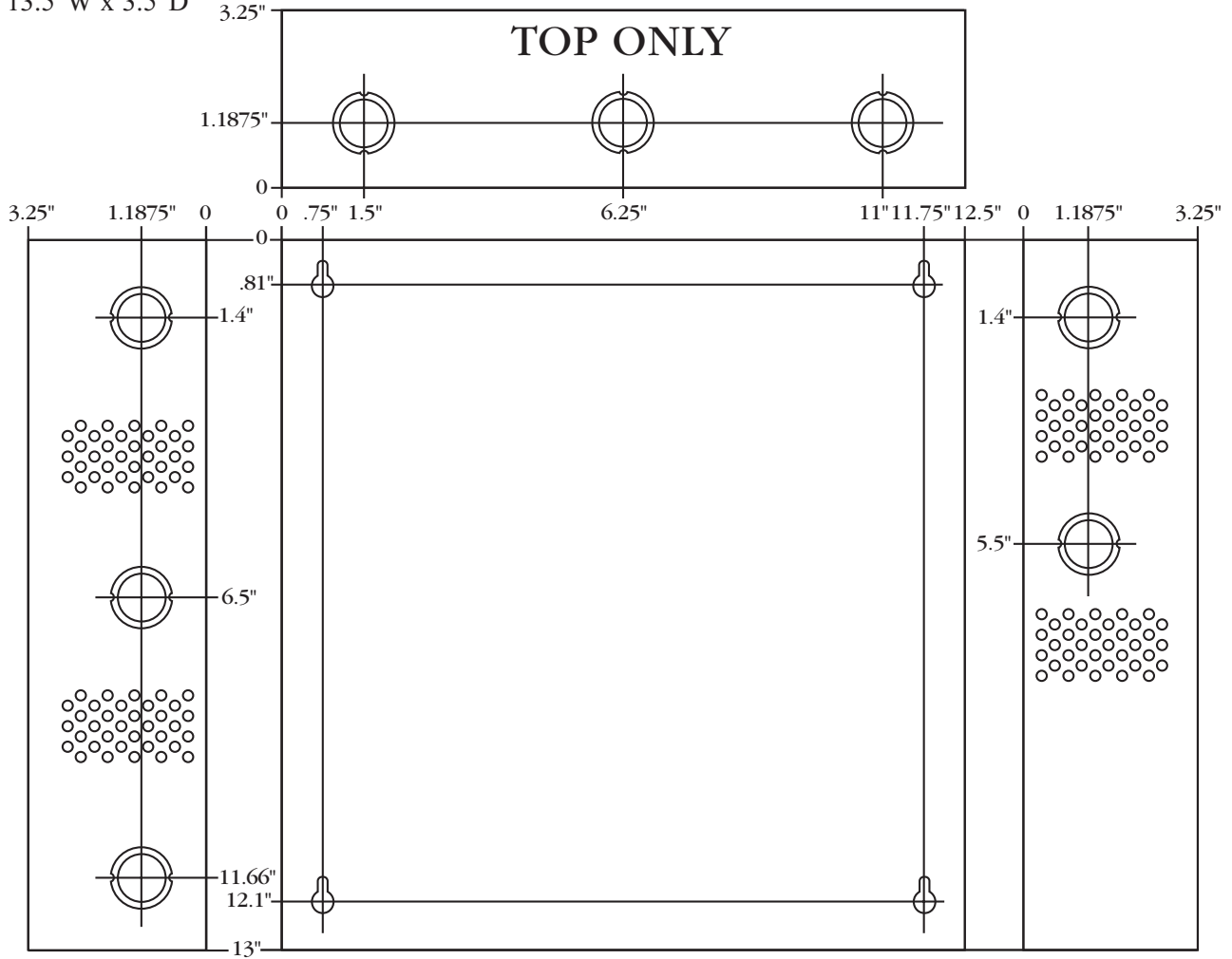
- ALTV248175UL
  - ALTV248175ULCB
- 12"H x 7.25"W x 4.5"D



**Enclosure Dimensions for:**

- **ALTV248175UL**
- **ALTV248175ULCB**
- **ALTV248300UL**
- **ALTV248300ULCB**
- **ALTV248600UL**
- **ALTV248600ULCB**

13"H x 13.5"W x 3.5"D



Altronix is not responsible for any typographical errors.

Altronix Corp.  
 140 58th Street, Brooklyn, New York 11220 USA, 718-567-8181, fax: 718-567-9056  
 web site: www.altronix.com, e-mail: info@altronix.com, Lifetime Warranty, Made in U.S.A.  
 III1ALTV248ULSeries D12D

