



# ALTV615DC4UL CCTV Camera & Accessory Power Supply

Rev. 013002

### Overview:

The Altronix ALTV615DC4UL CCTV Power Supply is designed with four (4) individual fused outputs for powering CCTV Cameras and other video accessories. It will provide 5.5-15VDC distributed via four (4) fused outputs with a total of up to 2.5 amp continuous supply current.

### Specifications:

- UL Listed - U.S. and Canada for CCTV Equipment (UL 2044).
- Input 24VAC 40VA or 24VAC 50VA, UL Listed Plug-in transformer.
- 5.5VDC to 15VDC field adjustable.



### Output Specification Chart:

Transformer	Output current 5.5 to 12VDC	Output current 12 - 15VDC
24VAC, 40VA	2.25 amp	1.8 amp
24VAC, 50VA	2.5 amp	2 amp

- Output fuses are rated at 1.0 amp / 250VAC (Fig. 1).
- AC input and DC output LED indicators.
- Power ON/OFF switch.
- Spare fuses included.
- Unit maintains camera synchronization.
- Ease of installation saves time and eliminates costly labor.

### Enclosure Dimensions:

8.5"H x 7.5"W x 3.5"D

### Installation Instructions:

1. Mount ALTV615DC4UL in desired location.
2. Connect 24VAC 40VA or 50VA UL Listed, class 2, plug-in transformer to terminals marked [XFMR IN] (Fig. 1)
3. Adjust output voltage using trimpot on the board prior to connecting CCTV devices.
4. Switch SW1 (Fig. 1) to OFF position.
5. Measure output voltage before connecting devices. This helps avoid potential damage.  
**CAUTION: Determine the maximum operating voltage of the equipment being powered before adjusting the output voltage.**
6. Connect each DC CCTV cameras to terminal marked [+ OUT1 - to + OUT4 -] (Fig. 1) carefully observing correct polarity.
7. Switch SW1 (Fig. 1) to ON position.
8. Green LED will illuminate when when unit is powered
9. Upon completion of wiring, secure enclosure door with screws (supplied).

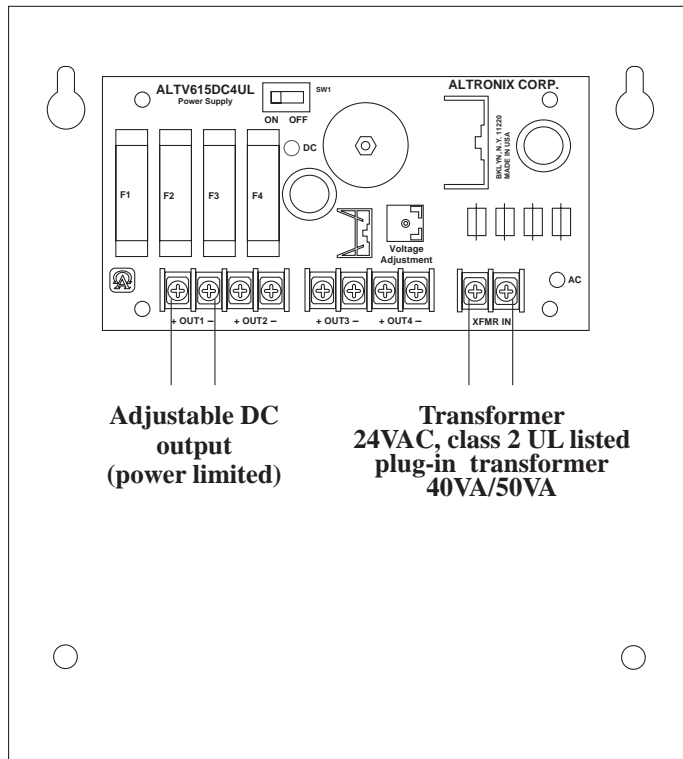


Fig. 1

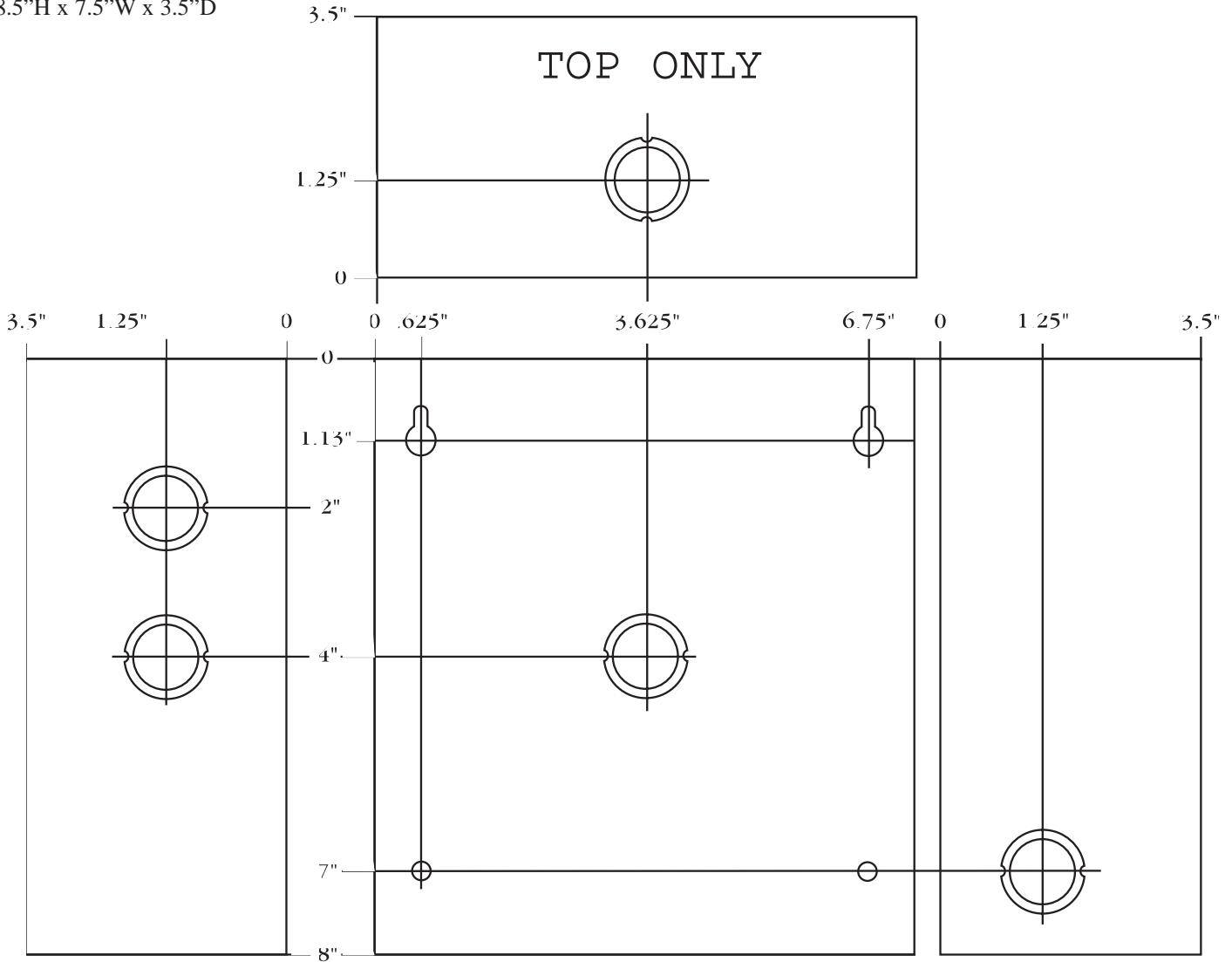
**WARNING: To reduce the risk of fire or electric shock, do not expose the unit to rain or moisture. This installation should be made by qualified service personnel and should conform to all local codes and in accordance with the National Electrical Code.**

**Terminal Identification:**

Terminal Legend	Function/Description
XFMR IN	Low voltage AC input (24VAC 40VA or 50VA) from UL Listed, class 2 plug-in transformer.
+ OUT1 – through + OUT4 –	Positive and Negative adjustable DC outputs. Up to (12VDC - 2.5 amp total continuous output), 12-15VDC 2 amp total continuous output. (See specifications).

**Enclosure Dimensions:**

8.5"H x 7.5"W x 3.5"D



Altronix is not responsible for any typographical errors.

