

DÉSA^{XL} Digital Video Recorders



Security Systems



- Windows[®] XP Professional
- Passive Looping Video
- Average File Size 3–6KB
- 120, 240 FPS Frame Rate
- Remote Multiserver Access
- Full Remote Administration with Remote Desktop
- Local & Remote PTZ Control
- Local & Remote Intelligent Search Engine
- E-mail Notification
- Event Logging by User
- Web Browser Viewer
- Local Smart Motion Search
- AntiVirus Software Supported

The Bosch DÉSA^{XL} is a Windows XP Professional PC-based digital recorder that produces an amazing 120-240 frames per second, with average file sizes of 3–6KB per image. This unit has 8 or 16 video inputs with independently adjustable frame rate settings. The DÉSA^{XL} features an alarm input and an auxiliary output for each video input.

When an alarm is triggered, e-mail or remote notification is sent to an administrator, providing remote event notification. On activation of alarms, the DÉSA^{XL} may be configured to execute pre-positions from multiple AutoDome[®] cameras. The DÉSA^{XL} has pre-alarm recording capability, allowing video capture *prior* to an alarm event. There are also five configurable motion detection zones per camera.

Both live and recorded video are accessible via the remote viewing software (included). Additionally, the remote software provides PTZ control and limited system configuration, supporting up to 16 DÉSA^{XL} units. Live viewing of cameras is available via a standard web browser or pocket PC software. Video is easily offloaded and distributed as proprietary or AVI files using a standard DVD/CD writer.

Local PTZ control is accomplished directly via the user interface, providing complete control over the Bosch AutoDome Series¹. Other manufacturers' units are also supported².

Secure operation is achieved via fully definable users, assigned to grant or deny access to system administration functions, recorded video access, PTZ control, and live viewing of cameras. The advanced scheduling feature of DÉSA^{XL} allows customization of recording parameters based on time, day of the week, motion, and alarm input. The DÉSA^{XL} is easily configured to record based on your unique needs!

The LTC 8016/90 Bilinx[™] Data Interface Unit accepts a biphasic output from the DÉSA^{XL} to allow control and configuration of Bosch Dinion[™] and AutoDome cameras using only the video cable¹.

Single channel audio recording is available by connecting an audio source to the unit. The DÉSA^{XL} also supports two way audio, for listening in and talking to the site using the remote viewing software.

NOTES: ¹Bosch LTC 8786/60-RS-232 to Biphasic converter required

²Additional hardware may be required

Specifications			
Model	DR2xxxxxx		
Composite Output	Full Screen/Sequencing		
Display (Max) FPS	120 or 240		
Video Input-Cameras	1 to 8 or 1 to 16		
Digital Audio Recording	1-channel		
External Alarm	8/8 or 16/16 (Input/Auxiliary Output)		
SVGA Display	1024 x 768		
Standard HDD	250, 500, 750, 1000GB		
Memory	1GB		
Recording Resolution	320 x 240 / 120FPS 640 x 480 / 120FPS (maximum)		
Average Record Days	Disk format (GB) / Recording Speed (FPS)		
DR2161xx	Total	Continuous	15% Motion
	FPS	Recording	Recording
250GB	16	60 days	290 days
250GB	112	8 days	41 days
1000GB	16	250 days	1200 days
1000GB	112	35 days	171 days
NOTE: The above record calculations are examples based on continuous or motion at 15% recording, with 320 x 240 resolution, and an average of 3KB file size at normal quality setting.			
4U Rack -mount Chassis			
Dimensions	17 1/4inW x 21inD x 7inH		
Weight	25-55lb based on model		
Hard Drive Capacity			
8 Channel	250-500GB		
16 Channel	250-1000GB		
Camera Inputs	8 or 16 BNC Type 1Vp-p 75Ω		
Camera Looping Outputs ¹	8 or 16-34-pin AMP Connector 1Vp-p 75Ω manually switched termination		
¹ With LTC 8508/01 Cable	1x supplied		
Composite Output	Full Screen/Sequencing 1V p-p 75W		
One (1) SVGA Monitor Output-1024x768			
Display Rate (Max) FPS	120 or 240		
Record Rate (Max) FPS	120 or 240		
One (1) Audio Input	1/8in mini phono jack		
One (1) Mic Input	1/8in mini phono jack		
One (1) Audio Output	1/8in mini phono jack		
One (1) RJ-45 Ethernet Port	10/100/1000 Base-T (Standard)		
One (1) SCSI-2 Port	HD50 (Standard)		
One (1) IEEE-1394 Input			
Five (5) USB 2.0 Ports- 4/Rear, 1/Front			
One (1) LPT Port			
One (1) RS-232 COM Port			
One (1) RS-422 Connector via Watchdog Card			
Removable HDD	80GB Operating System Only (Standard)		
DVD/CD writer (Standard) Formats IR/IRW			
One (1) Keyboard Port PS/2			
One (1) Mouse Port PS/2			

Electrical	
Power Supply	Pentium-4 Power Supply
	Selectable Full range 115-240VAC 60-50Hz
	560W (Max)
	It is highly recommended to use a UPS (Uninterruptable Power Supply)
Video	
Display Resolution	160 x 120, 320 x 240, 640 x 480 NTSC
Input	1Vp-p composite video signal, 75Ω
Composite Output	1Vp-p composite video signal, 75Ω
SVGA	One (1) DB 15
Audio	1-channel (line in, mic in, line out)
Connectors	
Video Input	BNC
Video Looping Out	AMP 34-pin header LTC 8508/01 cable
Composite Video Output	RCA
Audio	1/8in mini phone jack
10/100/1000 MB Ethernet	RJ-45
Alarms	
Alarm Inputs	8 or 16 programmable N/O, N/C dry contacts
Alarm Outputs ¹	8 or 16 programmable output relays
Image Compression	Proprietary temporal compression (Based on enhanced MJPEG and H.263 compression technology)
Image Integrity	Proprietary Codec, time/date stamp, watermark authentication
VGA Card	AGP 128MB RAM
Resolution/Average File Size²	160 x 120/1.5KB; 320 x 240/3KB; 640 x 480/6KB
PTZ Control	One (1) RS-422, one (1) RS-232 ³ output supplied
NOTES:	
	¹ Specifications on next page
	² Average file size based on temporal refresh
	³ LTC 8786/60 Series Data Converter is required for RS-232 conversion to biphase
	NOTE: Biphase and Pelco [®] protocols have been tested and verified. All other protocols have yet to be tested.

Remote PC Requirements

Processor	Pentium® III, Pentium 4, or AMD, 1GHz minimum
Memory	256MB minimum, 512MB recommended for Drag and Drop feature
Video	Dedicated AGP Graphics Adaptor, 32MB RAM minimum (64MB recommended), 32-bit color or better

CAUTION: Recommended graphics boards are ATI Radeon™ or NVIDIA® GeForce™. The software does not support video cards based on SiS or Riva™ TnT2 chip sets, or onboard integrated graphics adaptor with shared memory.

Monitor	SVGA or XVGA set to 1024 x 768 resolution at 60Hz refresh rate
Hard Disk	500MB free disk space

Operating System	Windows NT 4.0 SP6, Windows 2000 Pro SP3, or Windows XP Pro
-------------------------	--

Browser	Internet Explorer 5.5 or greater
----------------	----------------------------------

NOTE: When installing the Remote Client software on Windows NT 4.0, it is important to upgrade Windows Scripting to version 5.2 or greater. Versions below 5.2 cause installation issues.

Mechanical

Rack-mount Dimensions	17 1/4inW x 21inD x 7inH
Rack-mount Weight	11.3 - 20.4Kg (25 – 55lb) based on model

Environmental

Temperature	Operating: 5° to 40°C (41° to 105°F)
Relative Humidity	0 to 90%, noncondensing

Product Regulatory Compliance

Electromagnetic Compatibility (EMC)	Complies with FCC Part 15 and ICES-003
--	--

Product Safety	Complies with UL and CSA Standards
-----------------------	------------------------------------

Warranty

3 years

Bosch Accessories (Optional)

LTC 8786/60 – RS-232 to biphas converter
S1363-BNC-RCA Converter
DVAS
DVAD

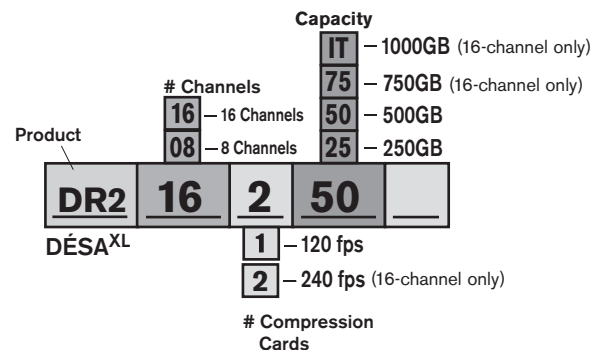
Approved Accessories (Third Party Manufacturers)

StarTech.com (Starview) KVMs
Any UPS (Uninterruptable Power Supply) rated at 560W per unit
Norton AntiVirus™
McAfee VirusScan

Ordering Information

Use the chart below to create your part number, based on this example:

- DR2 16 2 25:**
- DÉSA^{XL}
 - 16-channel
 - 240 fps
 - 250GB



DÉSA^{XL} Part Numbering Structure

Windows® and Windows NT®, are registered trademarks of Microsoft Corporation. Pentium® is a registered trademark of Intel Corporation. Norton Antivirus™ is a trademark of Symantec Corporation. McAfee is a business unit of Network Associates, Inc. Riva™ is a trademark of RIVA Technologies, Inc. ATI Radeon™ is a trademark of ATI Technologies Inc. NVIDIA® is a registered trademark of NVIDIA Corporation. GeForce™ is a trademark of NVIDIA Corporation.

Bosch Security Systems, Inc.
850 Greenfield Road
Lancaster, PA 17601 USA
Tel: 800-326-3270
Fax: 717-735-6560
www.boschsecuritysystems.com

BOSCH