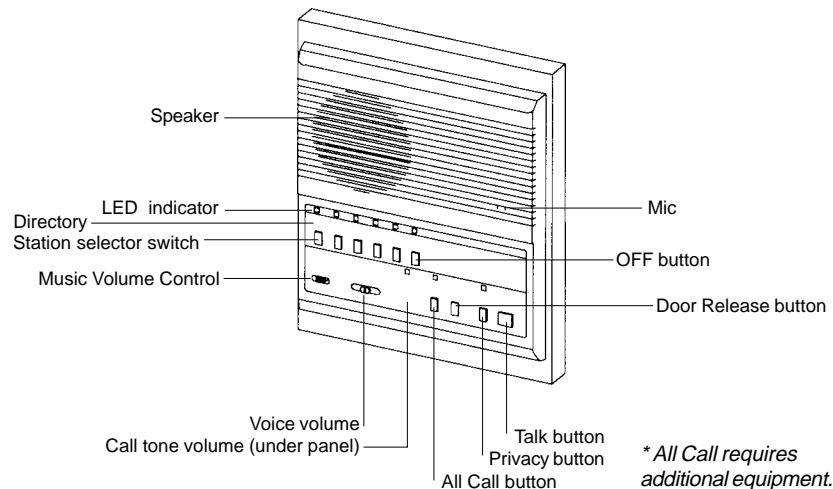


LEF-5C

5-Call Semi-Flush Mount Master Station



DESCRIPTION:

The LEF-5C is a selective calling open voice style master station, used to answer calls from other remotes or masters. The system can be designed to include any combination of master and sub stations. The LEF-5C can be a part of a larger system with the ability to communicate with five other stations, selectively release doors, plus make an All Call* and/or receive background music.

Incoming calls from a sub or door station sound an electronic tone and light an LED, remaining lit for approximately 20 seconds. Communication at the calling master is press-to-talk, release-to-listen, and is hands free at the responding station. The person at the master station can selectively call and talk with a person at any connected sub or master station in the system. The privacy feature on the master prevents eavesdropping from another master station. An All Call announcement can be made from the master if the system includes the All Call/Chime Adaptor or the Chime & Music Center.

The LEF-5C flush mounts into a wall. Sub stations are available in surface or flush mount styles, with or without privacy. Outdoor stations are available in surface or flush mount styles.

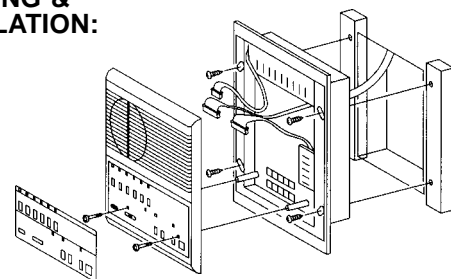
COMPATIBLE COMPONENTS:

- LEF or LEF-C Series Master Stations
- LE-series Sub/Door Stations
- *BG-10C All Call/Chime Adaptor (Use PS-12F)
- *BGR-10A Radio/All Call/Chime Unit (Add PS-2410A)
- PS-12C or PS-12F Power Supply

FEATURES:

- Up to 6 stations or intermixed with larger systems
- Fully intermixable system (masters and subs)
- LED annunciation and momentary tone from calling sub or door station
- Push-to-talk at calling master, and hands free at responding station
- Selective monitoring
- Privacy button to prevent eavesdropping
- All Call button (requires additional equipment)
- Video door entry can be integrated
- Selective door release
- Voice, music, and call tone volume controls

MOUNTING & INSTALLATION:



ARCHITECTS/ENGINEERS' SPECIFICATIONS:

The intercom system shall be of an open voice, selective calling type with selector switches for each station. System shall be fully intermixable with other LEF-series masters or sub stations. Master station shall be simplex operation, with hands free reply from the responding station.

Master station shall be equipped with station selector switches, OFF button for standby mode, TALK button for simplex operation, and PRIV (privacy) button to block unauthorized monitoring. An All Call button shall be provided for initiation of an announcement throughout the system when the All Call Adaptor or Chime & Music Center is included in the system. A button shall be provided to selectively activate a door release mechanism associated with the station that is selected. Voice volume control shall adjust transmit and receive volume at the calling master station, and a call tone volume control shall be located beneath the operation plate. A call from a sub or door shall be announced by a momentary electronic call tone, and the corresponding station LED shall light for approximately 20 seconds. The LED shall not light if a master station calls another master station. LEDs above selector buttons shall illuminate when a station button is pressed at the calling master. The Occupied LED shall light to indicate that the system is in use, and the Off LED shall light on the unit that has a station selected.

Master station shall flush mount into a wall. An optional backbox (BBX-3E) shall be available for ease of installation. Sub stations shall be available in the following configurations: (1) surface or flush mount styles, with or without privacy; (2) surface mount with three call buttons, with or without privacy; (3) weather resistant door stations in surface or flush mount styles, mounted on or in standard 1-gang or 2-gang boxes; and (4) vandal proof style, indoor or outdoor models.

A matching unit (BGR-10A) shall provide AM/FM radio, chime, and All Call (requires PS-2410A). If radio is not required, an adaptor (BG-10C w/PS-12F) shall be available to provide chime from up to three doors, and All Call from a master station. It shall include an auxiliary input to distribute background music to all or selected sub or master stations in the system.

Wiring shall be multiple conductors with an overall shield inside a single jacket, including nine (9) common wires, plus one (1) individual wire per station in the system between masters. Maximum 15 conductors, not including "K" terminals. In a system with video or selective door release, one (1) additional wire for each audio or video door station is required between masters. Wiring to sub stations shall be two (2) conductors in a 1-master system, or three (3) conductors in a system with two or more masters or when All Call is included.

Manufacturer must have earned ISO 9001 certification for quality standards.

*Intercom Solutions For
Communications and Security*

SPECIFICATIONS:

Power source: 12V DC, 300mA per station.
Use PS-12C or PS-12F

Output: 800mW @ 20 ohms (reception),
500mW @ 20 ohms (transmission)

Communication: Press-to-talk, release-to-listen at
master station. Hands free response.

Talk channel: 1 talkpath. Occupied LED when in use.

Capacity: Up to 6 stations, intermixable

Wiring: 5 common wires (E, R, Y, +, -), plus 1
individual wire per station, looped.
All Call: 3 add'l common wires (P1~P3).
Door Release: 1 add'l common (L), plus
1 add'l wire for each door to be released
(K1~K5).
Sub stations: 2 wires homerun in
single master system, or 2 common wires
(E, -), plus 1 individual wire per station,
looped or homerun.

Wiring Distance: 650' w/22AWG; 1600' w/18AWG

Select switch
extra contact rating: 12V DC, 30mA ("K1~K5" terminals
for external device control)

RY-PA contact rating: 110V AC, 1A; or 24V DC, 1A

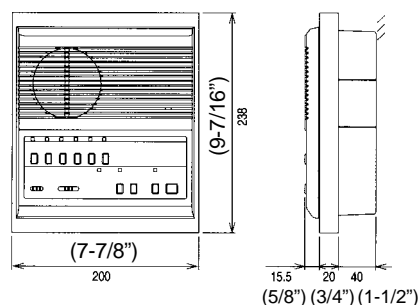
Speaker sensitivity: 40dB

Total Harmonic
Distortion: Less than 5% at rated output power

Signal to Noise Ratio: 60dB

Frequency Response: -3dB, 770-6800Hz.

Dimensions LEF-5C
(H x W x D): 9-7/16" x 7-7/8" x 1-3/8"



LEF-5C-SS 92327 0798
Printed in USA